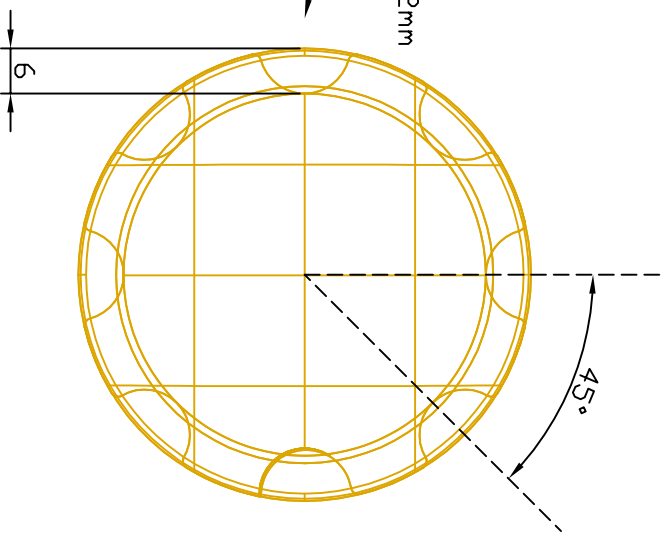


Mill cutter 4 blades \varnothing 12mm



UNLESS OTHERWISE SPECIFIED: DIMENSIONS ARE IN MILLIMETERS		DATE	
DECIMALS 05	TOLERANCES ANGULAR	August 2008	
XXX ± .010	Z .05		
DO NOT SCALE DRAWING			
DRAWN	S. e. S.		
CHECKED			
Material		Bronze	
Stefano E. Sanna -stefanoesanna@ilbero.it Via Amendola 4, 27035 Mede (PV) ITALY			
Peugeot 172 BC - Buchon radiateur			
SCALE	DWG NO.	REV	
Not in scale	172 BC - 1	1 OF 1	